
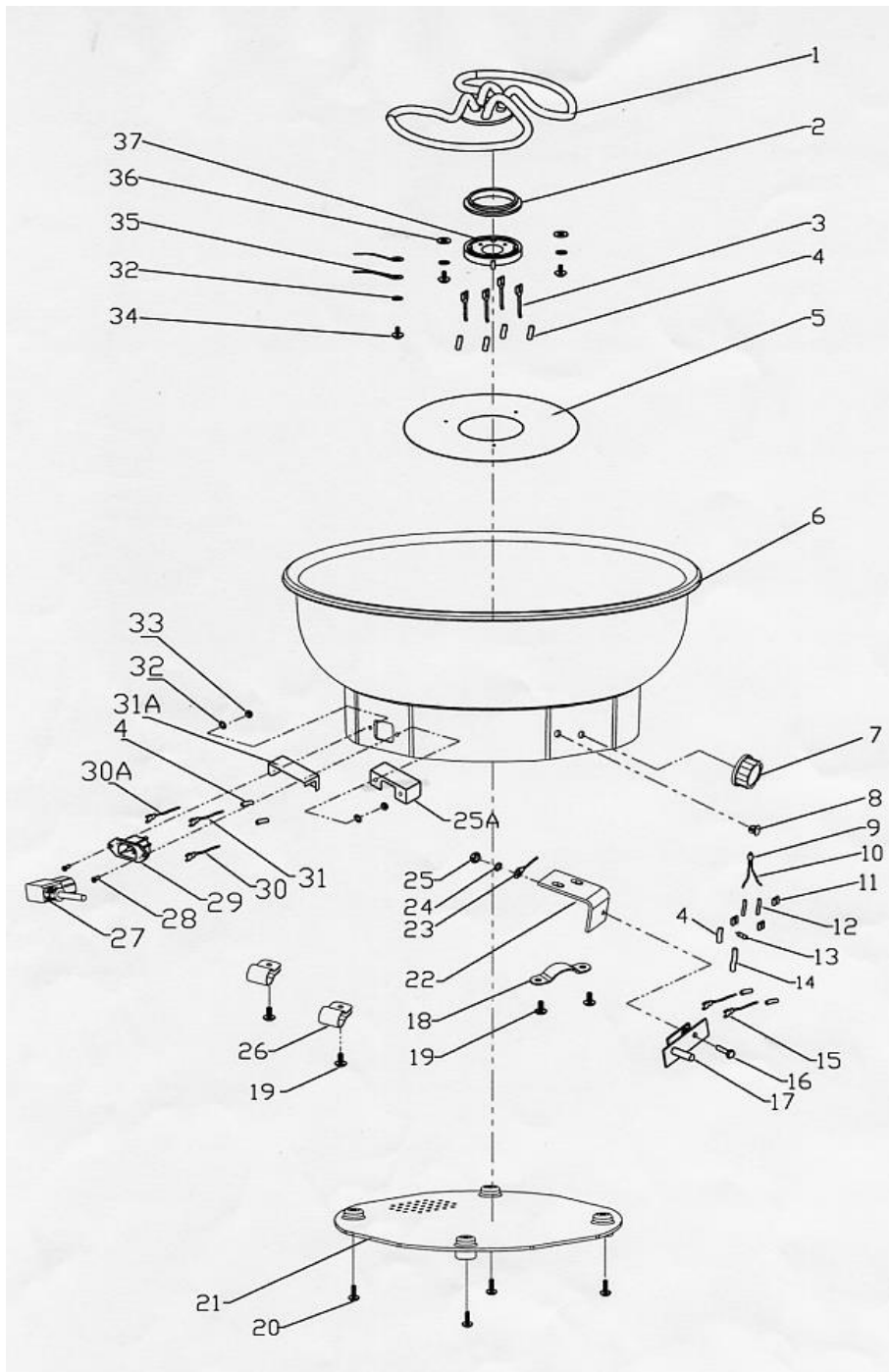



Drawing

 <p>Hendi B.V. Steenoven 21 3911 TX Rhenen The Netherlands</p>	Batch #	Appliance part#
	701072 and up	204832
	Description	
	Chafing dish electric "Tesino"	

Date	31-03-2016	Revision #	Revision version
Revision	First bill of materials (BOM)		



Bill of materials (BOM)

 Hendi B.V. Steenoven 21 3911 TX Rhenen The Netherlands	Batch #	Appliance part#
	701072 and up	204832
	Description	
Chafing dish electric "Tesino"		


Date	31-03-2016	Revision #	Revision version
Revision	First bill of materials (BOM)		

Item	Description	Part#	Quantity	Remark	Picture
1	Element 240V 500W	922002	1		
2	Sealing	204801	1		
3	Terminal 4,8mm	n/a	2		
4	Heat shrinking tubing	n/a	9		
5	Cover	n/a	1		
6	Housing	n/a	1		
7	Knob	204719	1		
8	Indicator light cover	n/a	1		
9	Indicator light	n/a	1		
10	Indicator light wiring	n/a	2		
11	Terminal	n/a	3		
12	Heat shrinking tubing	n/a	2		
13	Resistor	n/a	1		
14	Heat shrinking tubing	n/a	1		
15	Terminal 4,8mm	n/a	9		
16	Screw M4x30	n/a	1		
17	Thermostat	204740	1		
18	Bracket	n/a	1		
19	Screw ST4x10	n/a	4		
20	Screw ST4x20	n/a	4		
21	Bottom cover	n/a	1		
22	Bracket	n/a	1		
23	Terminal Ø4mm	n/a	1		
24	Spring washer M4	n/a	1		
25	Nut M4	n/a	1		
25a	Cover	n/a	1		
26	Cable clamp	n/a	2		
27	Power chord	900680	1		
28	Screw M3x12	n/a	3		
29	Socket	n/a	1		
30	Wiring (white)	n/a	1		
30a	Wiring (red)	n/a	2		
31	Wiring (ground)	n/a	1		
32	Spring washer M3	n/a	5		
33	Nut M3	n/a	2		
34	Screw M3x8	n/a	3		
35	Terminal Ø3mm	n/a	2		
36	Washer M3	n/a	2		
37	Hi-limiter	204771	1		
*	Food pan	239940	1	* Not shown on expoldded view	
*	Lid glass Ø380mm	239926	1	* Not shown on expoldded view	

n/a -> not available

nss -> not sold separately

Circuit diagram

 HENDI FOOD SERVICE EQUIPMENT Hendi B.V. Steenoven 21 3911 TX Rhenen The Netherlands	Batch #	Appliance part#
	701072 and up	204832
	Description	
	Chafing dish electric "Tesino"	

Date	31-03-2016	Revision #	Revision version
Revision	First bill of materials (BOM)		

